



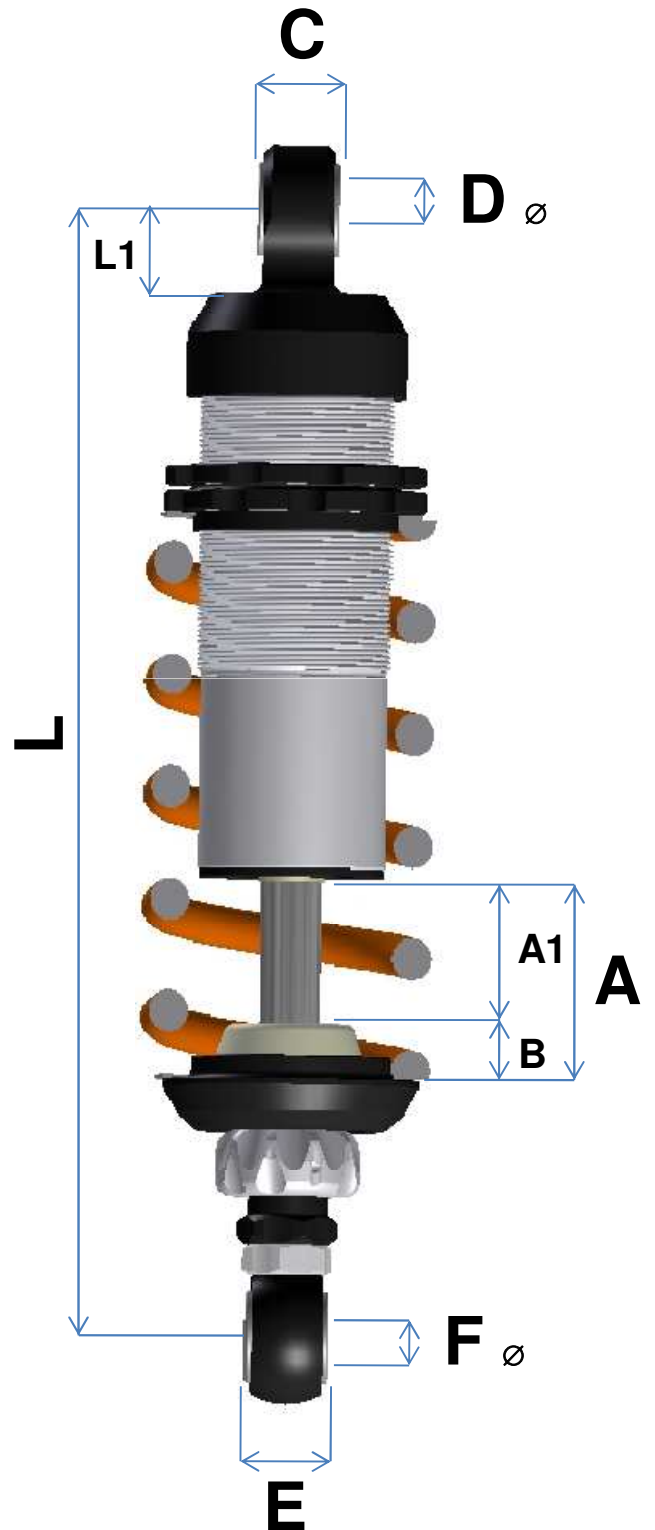
special on demand (eyelet-eyelet joint)

Brand	_____	
Model	_____	
Year	_____	
L - Length (without spring)	mm	_____
L1 - Length	mm	_____
A - Stroke	mm	_____
A1 - Stroke	mm	_____
B - Bumper	mm	_____
C - Upper spacer	mm	_____
D - Upper spacer hole	∅ mm	_____
E - Lower spacer	mm	_____
F - Lower spacer hole	∅ mm	_____
Spring rate	N/mm	_____
Spring OD	mm	_____
Spring preload	mm	_____

Date _____

Customer _____

Signature _____





special on demand (eyelet-fork joint)

Brand	_____	
Model	_____	
Year	_____	
L - Length (without spring)	mm	_____
L1 - Length	mm	_____
A - Stroke	mm	_____
A1 - Stroke	mm	_____
B - Bumper	mm	_____
C - Upper spacer	mm	_____
D - Upper spacer hole	∅ mm	_____
E - Lower fork width	mm	_____
F - Lower fork hole	∅ mm	_____
Spring rate	N/mm	_____
Spring OD	mm	_____
Spring preload	mm	_____

Date	_____
Customer	_____
Signature	_____

