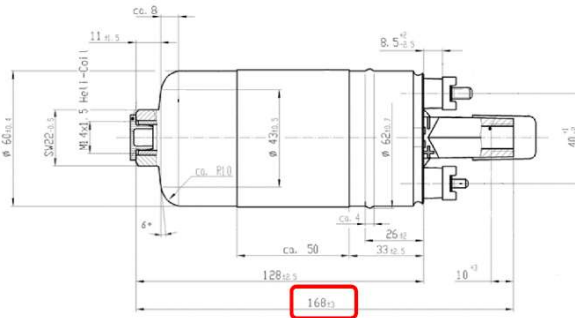


## 0580 254 979 discontinued – replaced by 0580 464 201

### Replacement of FP165 and FP200 by Evo versions

**FP 165:** end of production from early 2021, replacement by FP165/E (0 580 464 201)

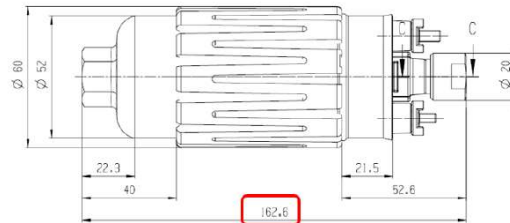
**the old FP 165**



**Connectors:**  $U_{batt}$  -> M4 / Ground -> M5  
 inlet -> M14x1.5  
 outlet -> M12x1.5

**the replacement of FP 165/E**

5,4 mm shorter length



**Connectors:**  $U_{batt}$  -> M4 / Ground -> M5  
 inlet -> M14x1.5  
 outlet -> M12x1.5

### Replacement of FP165 and FP200 by Evo versions

**FP 165:** technical data old / new

	units	FP165 0 580 254 979	FP165/E 0 580 464 201
release for	liquid fuel	Gasoline fuel max. E10	Gasoline and Diesel
with a shorter lifetime	fuel mix	E85	-
flow rate range @ 12 V	l/h	$\geq 165$ @ 5 bar	188 ... 258 @ 4.3 bar
max. pressure	bar	5.0	6.0
over pressure valve range	bar	7 ... 12.5	8 ... 10.0
voltage range	V	7 ... 16.5	6 ... 15.0
current	A	$\leq 10$	$\leq 13$
RSV opening pressure	bar	0.08 ... 0.2	-
RSV leakage	ml/h	$\leq 1.0$	-
ambient temperatur range	°C	-40 ... +80	-40 ... +80
max. fuel temp.	°C	$\leq +70$	$\leq +80$
			$\leq 90 \leq 5h$ over 1000h lifetime
			$\leq 105 \leq 1h$ over 50h lifetime