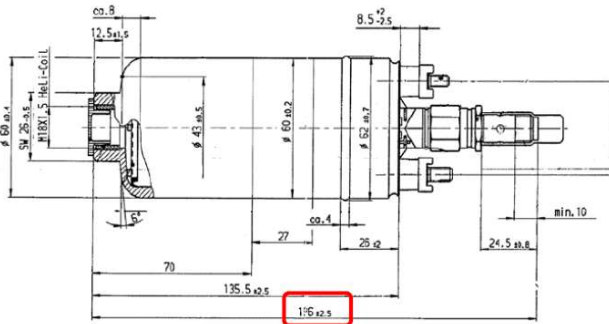


0580 254 044 discontinued- replaced by 0580 464 200

Replacement of FP165 and FP200 by Evo versions

FP 200: end of production from early 2021, replacement by FP200/7 and FP200/E

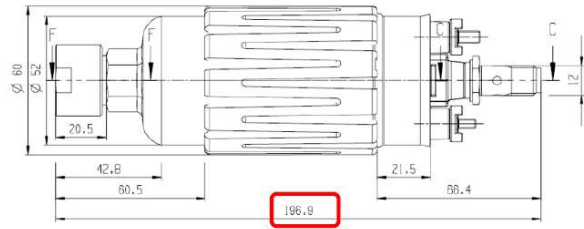
the old FP 200/5 and /8



Connectors: U_{batt} -> M6 / Ground -> M5
 inlet -> M18x1.5
 outlet -> M12x1.5

the replacement of FP 200/7 and /E

0,9 mm more length



Connectors: U_{batt} -> M4 / Ground -> M5
 inlet -> M18x1.5
 outlet -> M12x1.5

Replacement of FP165 and FP200 by Evo versions

FP 200: technical data old / new

	units	FP200/5 and FP200/8	FP200/7	FP200/E
		0 580 254 044 / B 261 205 413-01	0 580 464 200	0 580 B00 12U-50
release for	liquid fuel	Gasoline fuel max. E10	Gasoline and Diesel	Gasoline and Diesel
with a shorter lifetime	fuel mix	E85	E100	E100
flow rate range @ 12 V	l/h	≥ 200 @ 6 bar	219 ... 270 @ 5 bar	219 ... 270 @ 5 bar
			186 ... 236 @ 7 bar	186 ... 236 @ 7 bar
max. pressure	bar	5.0 / 8.0	0.5 ... 7.0	0.5 ... 8.0
over pressure valve range	bar	10 ... 12.5	8 ... 10.0	without
voltage range	V	7 ... 16.5	6 ... 15.0	6 ... 15.0
current	A	≤ 18	≤ 17	< 20
RSV opening pressure	bar	0.08 ... 0.2	-	-
RSV leakage	ml/h	≤ 1.0	-	-
ambient temperatur range	°C	-40 ... +80	-40 ... +80	-40 ... +80
max. fuel temp.	°C	≤ 70	≤ 80	≤ 80
			≤ 90 ≤ 5h over 1000h lifetime	≤ 90 ≤ 5h over 1000h lifetime
			≤ 105 ≤ 1h over 50h lifetime	≤ 105 ≤ 1h over 50h lifetime